



**BREZZA**

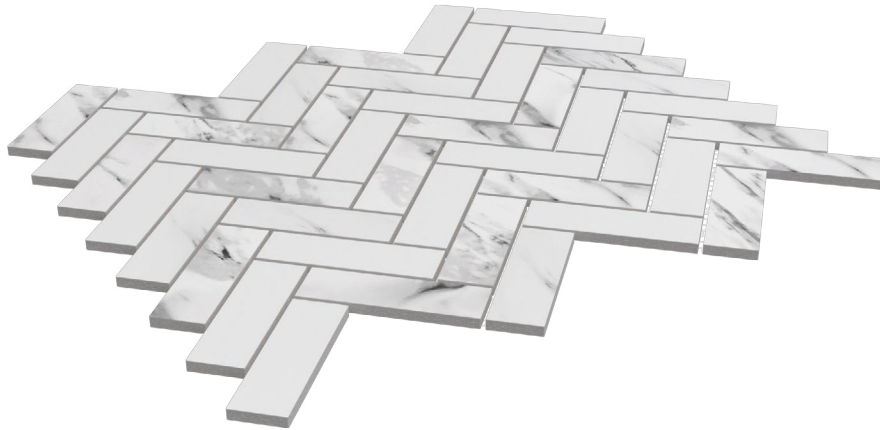
D E S I G N I T A L Y

Technical sheet  
BZ98709846



Marble Series  
Arrow Calacatta  
BZ98709846

**BREZZA**  
DESIGN ITALY



## Arrow Calacatta

The Arrow Calacatta from the Marble series by Brezza Design Italy, stands out for its pieces with random patterns of white backgrounds with very clear and quite defined gray veins. Calacatta marble, quarried in Italian quarries, is considered one of the most luxurious, elegant and beautiful in terms of marble. It brings a classic touch to the design, and enhances its spaces.



Glazed finish



Matt



Suitable for floor installation



Suitable for wall installation



Exterior



Interior



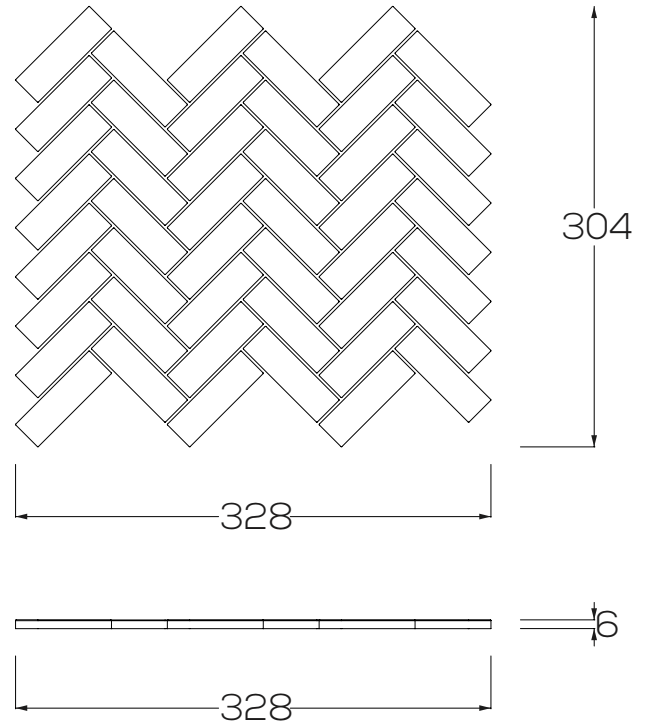
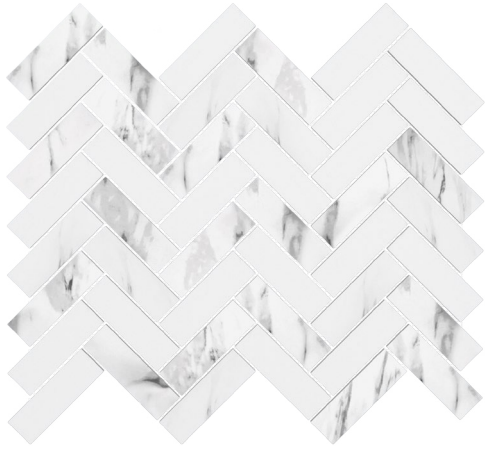
High traffic



V4 shade variation

Marble Series  
Arrow Calacatta  
BZ98709846

**BREZZA**  
DESIGN ITALY



## Shape and texture

The Arrow Calacatta of the Marble series from Brezza Design Italy, presents a pattern of interlocking pieces in herringbone, which generates a more dynamic and attractive touch in the spaces in which these meshes have been installed. This mosaic has a porcelain base covered by a high definition print, with an undefined pattern that resembles the semi-polished texture of Calacatta marble. Its texture is uniform, smooth and matte, with random patterns.



SPECIFICATION	TEST METHODS	REQUIREMENTS IN ACCORDANCE TO THE STANDARDS	BREZZA AVERAGE VALUE
WATER ABSORPTION	ISO 10545-3	≤ 0,5%	≤ 0,2%
FLEXURAL RESISTANCE	ISO 10545-4	Min./MNH 35 N/mm <sup>2</sup>	Min./MNH 40 N/mm <sup>2</sup>
MODULUS OF RUPTURE	ISO 10545-4	THICKNESS ≥ 7,5mm: min. 1300 N	THICKNESS ≥ 7,5mm: min. 1300 N
DEEP ABRASION RESISTANCE	ISO 10545-6	≤ 175 mm <sup>3</sup>	≤ 175 mm <sup>3</sup>
RESISTANCE TO SURFACE ABRASION	ISO 10545-7	CLASSES 0-5	CLASSES 0-5
LINEAR EXPANSION THERMIC COEFFICIENT	ISO 10545-8	AVAILABLE ON REQUEST	INSIGNIFICANT
RESISTANCE TO SUDDEN TEMPERATURE CHANGES	ISO 10545-9	AVAILABLE ON REQUEST	YES
FROST RESISTANCE	ISO 10545-12	ALWAYS TESTED - EXIGEE	ALWAYS TESTED - EXIGEE
HOUSEHOLD CHEMICALS AND SWIMMING POOL WATER CLEANSERS	ISO 10545-13	UGL min. UB MNH. UB GL min. GB MNH. GB UGL FROM ULA, ULB TO ULC - DE ULB A ULC GL FROM GLA, GLB TO GLC - DE GLA, GLB A GLC	UGL min. UB MNH. UB GL min. GB MNH. GB UGL FROM ULA, ULB TO ULC- DE ULB A ULC GL FROM GLA, GLB TO GLC- DE GLA, GLB A GLC
ACIDS AND LOW CONCENTRATION ALKALIS	ISO 10545-13	UGL min. UB MNH. UB GL min. GB MNH. GB UGL FROM ULA, ULB TO ULC - DE ULB A ULC GL FROM GLA, GLB TO GLC - DE GLA, GLB A GLC	UGL min. UB MNH. UB GL min. GB MNH. GB UGL FROM ULA, ULB TO ULC - DE ULB A ULC GL FROM GLA, GLB TO GLC - DE GLA, GLB A GLC
ACIDS AND HIGH CONCENTRATION ALKALIS		AVAILABLE ON REQUEST	AVAILABLE ON REQUEST
STAIN RESISTANCE	ISO 10545-14	AVAILABLE ON REQUEST	STAIN RESISTANCE
COLOURS STABILITY TO LIGHT	DIN 51094	THEY DO NOT HAVE TO SHOW VISIBLE COLOUR ALTERATION	STABLE IN OUTDOOR AND INDOOR CONDITIONS



Marble Series  
Arrow Calacatta  
BZ98709846

**BREZZA**  
DESIGN ITALY

